



JFS45

DIESEL + ELECTRIC POWER UNIT



REMOTE CONTROL



- ✓ Proportional
- ✓ LCD Screen
- ✓ Spare battery

HYDRAULIC JIB

- ✓ 6 hydraulic telescopic extensions
- ✓ 6613 lb MAX capacity
- ✓ 100 ft MAX height
- ✓ Hydraulic extra functions available



MAN BASKET

- ✓ For MAX 2 people
- ✓ Up to 99' 5"
- ✓ EN280 certified



SPECIAL FEATURES



- ✓ 7716 lb removable counterweight
- ✓ 7716 lb transport capacity on lorry
- ✓ Pick & Carry
- ✓ 22046 lb frontal or rear hydraulic towing winch

MAIN BOOM



- ✓ 34170 lb MAX capacity
- ✓ 62 ft MAX height
- ✓ 6 hydraulic telescopic extensions

WINCH



- ✓ Up to 20'10" rope length
- ✓ Up to 3 falls
- ✓ For main boom & Jib
- ✓ 4409 or 6613 lb single line

ADDITIONAL ELECTRIC MOTOR



- ✓ On board
- ✓ 50 Hz or 60 Hz
- ✓ Simple switch from diesel
- ✓ 400-480 V three-phase electric motor

360° ROTATION



OUTRIGGERS

- ✓ 5 different stability levels
- ✓ 4 different stability areas
- ✓ 0 - 45° full-range angle & Telescopic



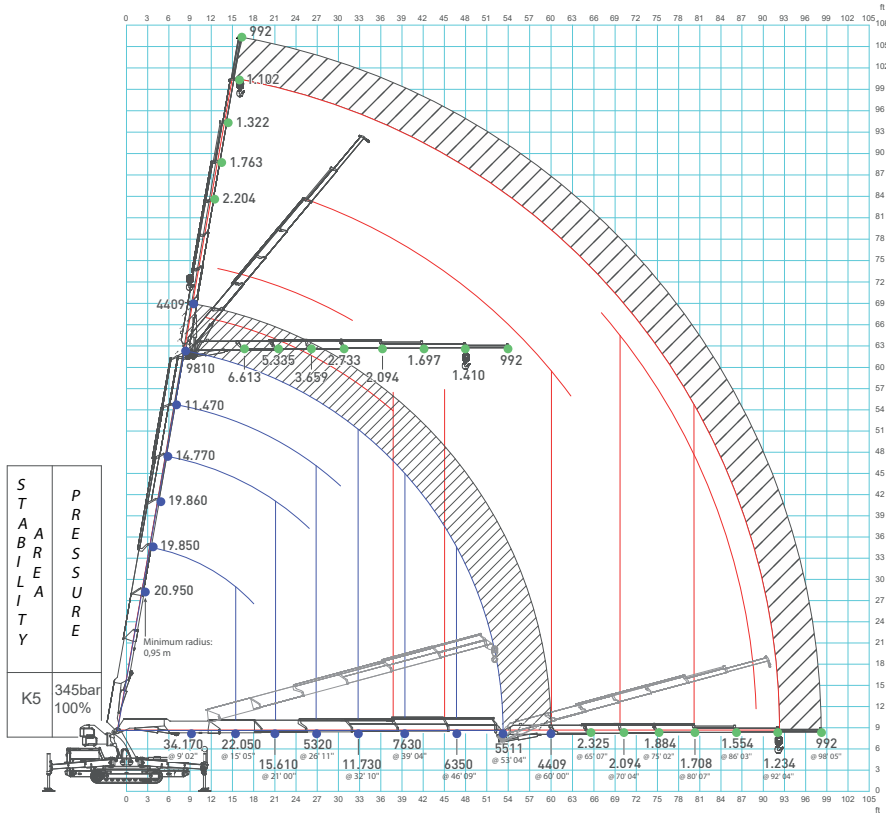
2 BIG TOOLBOXES

NON-MARKING WHITE PLASTIC PADS





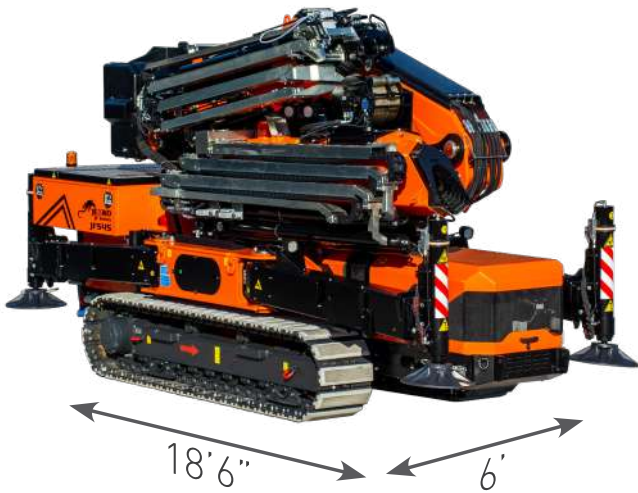
LOAD CHART



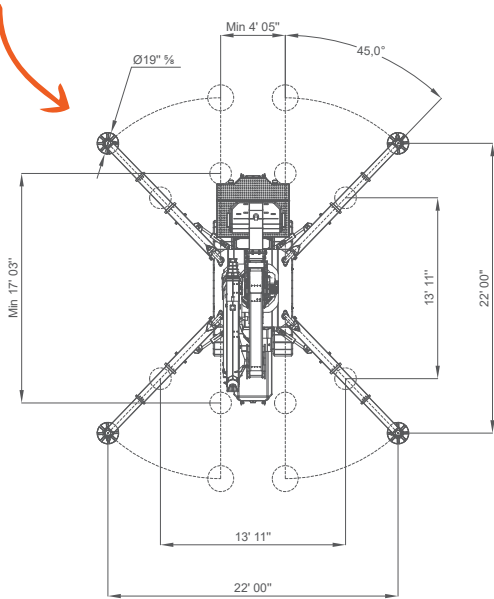
SCAN FOR MORE TECHNICAL DATA

	lb
JF545	29762
Counterweight	7716
Hydraulic Jib	2645

DIMENSIONS



FOOTPRINT



ACCESSORIES

